

## Rotary Gas Meter

medium:

operating conditions:

mechanical class: **M2** - electromagnetic class: **E1**

Meter can be installed in open air: **YES**

Avoid direct sunshine on the meter.

IP-classification of index: IP67

**Natural gas (CH<sub>4</sub>) - gas family: Group 1**

**p = 0 - 16 bar / t = -25 - 55 °C**

## PRECAUTIONS:

Never use the meter as a spool piece during welding.

The meter must be depressurised before filling or adding oil.

Before removing the meter, the oil should be drained.

The meter should be transported and stored with the rotor axis horizontal.

Use only devices with electrical characteristics as recommended (see connection diagram)

The maximum tightening torque on the Pressure and Temperature tapping connections is: **18 Nm**.

To tighten the swivel nuts; use 2 wrenches to avoid over tighten and damage the meter body.

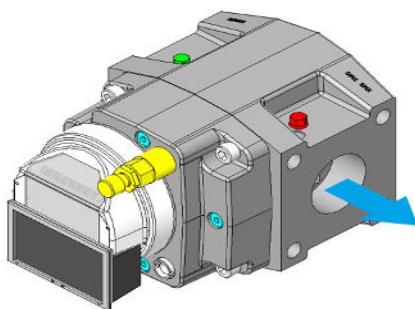
Avoid mechanical shock during handling and transportation of the meter.

Avoid strong magnet fields close to the meter (particular the index), since they can affect the metrological performance and/or interrupt the pulse generators.

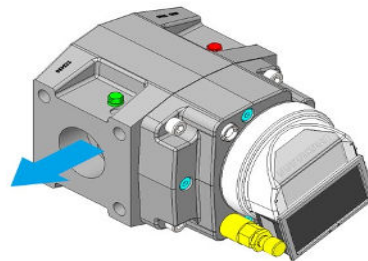
Seal all plugs and sight glasses to overcome fraud and/or theft of gas.

## INSTALLATION INSTRUCTIONS:

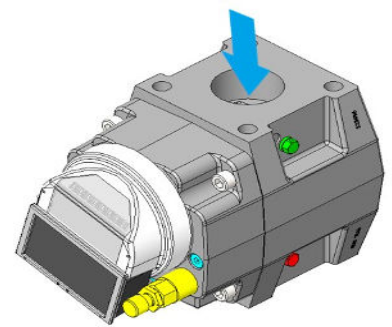
- 1 Check the meter for damage due to transportation and handling. Insure the impellers turn freely and no objects or contaminations are in the measuring chamber.
- 2 The piping on the inlet side of the meter must be clean (free of dirt, welding beads and pipe scale). It is recommended to install a 100 micron filter upstream of the meter. For new installations it is recommended to install a mesh wire screen (250 micron) for the first weeks of operation.
- 3 Connect the meter inlet to the gas supply side of the line, insuring the gas flow will be in the same direction as the arrow on the meter body type plate. For P and T positions see figures below. The pressure reference connection (Pm) is always located on the INLET of the meter.



Left to Right



Right to Left



Top to Bottom

 Pressure tapping

 Temperature tapping

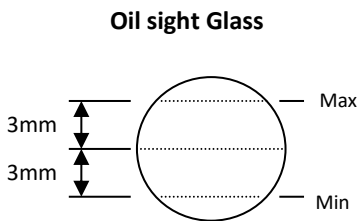
 High frequency pulser

 Lubrication Point

Install the meter without piping strain to prevent a binding of the impellers. Level the meter to within 5mm/m side-to-side and front-to-back.

Flow Meter Group B.V. Innovatieweg 32, 7007 CD Doetinchem, The Netherlands (www.flowmetergroup.com - info@flowmetergroup.com)

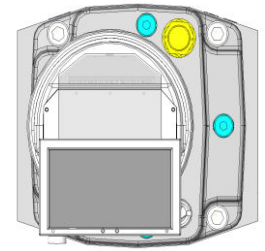
- 5 The meter is shipped without oil in the reservoir. To fill the meter remove the filling plug and slowly add oil to the reservoir until it reaches the centre of the oil gauge (sight glass). If there is no sight glass to read the oil level, please use the oil amount as indicated in the table "indicative oil volume"



Indicative Oil volume	
horizontal flow direction:	<b>31cc</b>
vertical flow direction:	<b>70cc</b>

When lubricating the meter make sure the following type of oil is used:

<b>Shell Morlina S2 BL10</b>
------------------------------

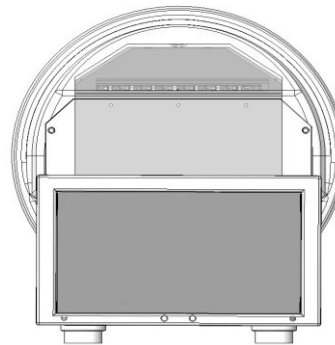


## 6 Requirements Index Connector:

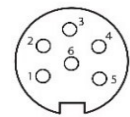
If the meter is installed in a zone classified as hazardous area, ensure all connections are connected to intrinsically safe interfaces according to IEC 60947-5-6 (NAMUR)! Please observe the max. admissible electrical ratings for the applicable temperature classes.

connections connector 1

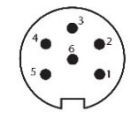
sensor	output	pin
3711	LF1	1 / 4
3711	LF2	2 / 5
3711	Tamper	3 / 6



connector view



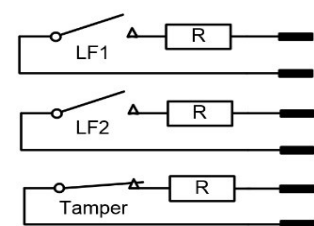
female



male

connector 1

Intrinsically safe input parameters					
Sensor(s): Type 3711 MSR					
EC type examination certificate: BASEEFA 11ATEX0280X					
Temp. Class	Ui (V)	Ii (mA)	Pi (mW)	Ci (nF)	Li (uH)
T4	51	35	700	0	0
T5	51	35	400	0	0
T6	51	35	80	0	0

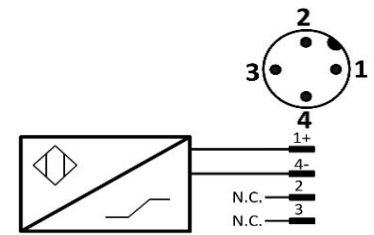


Each circuit 1&4, 2&5, 3&6 may be connected to linked (multi-channel single IS source) or separate intrinsically safe sources which are certified [Ex ia IIC] such that the series or parallel combinations of all 3 channels do not exceed 51V, 35mA and 700mW(T4), 400mW(T5) and 80mW(T6).

## 7 Requirements HF sensor [HF1] connector:

If the meter is installed in a zone classified as hazardous area, ensure all connections are connected to intrinsically safe interfaces according to IEC 60947-5-6 (NAMUR)! Please observe the max. admissible electrical ratings for the applicable temperature classes.

Intrinsically safe input parameters					
Sensor(s): Type 4011					
EC type examination certificate: PTB 01ATEX2192					
Temp. Class	Ui (VDC)	Ii (mA)	Pi (mW)	Ci (nF)	Li (uH)
T4	20	60	200	180	350
T5	20	60	80	180	350
T6	20	60	80	180	350



note 1: Parameter Pi is applicable for the combined sensor circuits (1A and 1B)

note 2: Parameters Ui, Ii, Ci and Li apply per sensor circuit (1A or 1B)

The M12 connector nut should be tightened with a preset torque of 0.4 Nm to guarantee IP67 ingress protection.

The M12 metal shell of the output socket is electrically connected to the gas meter body which should in gas installations be connected to (skid) earth potential.

## 8 Slowly pressurize the meter to avoid overloading.

Do not exceed 350 mBar/second maximum when pressurizing. Rapid pressurization can cause an over-speed condition which may damage the meter. Resulting damage is NOT covered by warranty!

## 9 An indication of the meter condition can be obtained by analysing the pressure drop over the meter.

It is recommended that the pressure drop over the new meter is measured and recorded in the meter records. Future measurements can be compared to this value.

## 10 Once the meter has been commissioned, it does not require any special servicing or oil level inspections.

Under standard conditions (clean and dry natural gas) we generally advise to replace the oil every 5 years.